



Door-clutch DC Isolator Switch

ADELS® is a professional manufacturer and supplier of Door-clutch DC Isolator Switch in China. PM2 series door clutch DC isolation switch up to 1200V 32A, the handle can be padlocked in the "OFF" position, easy to install, the base is installed on the din rail, the handle is installed outside the door through the shaft. We can provide customized service, DC isolation switch shaft length can be

customized according to customer requirements to provide a variety of solutions. For more information about the door clutch DC isolation switch, please contact us!

Model:PM2

As a professional high quality Door-clutch DC Isolator Switch manufacturers, you can rest assured to buy Door-clutch DC Isolator Switch from ADELS® and we will offer you the best after-sale service and timely delivery.

Door-clutch DC isolator switch

- IP20 Protection Level
- The handle can be padlocked in the "OFF" position
- Base mounted in the din rail, and handle mounted outside the door through the shaft
- The length of shaft can be customized by customer
- 2 Pole, 4 Pole are available (Single/Double String)
- Standard: IEC60947-3, AS60947.3
- DC-PV2, DC-PV1, DC-21B
- 16A, 25A, 32A, 1200V DC
- OFF locklabel

Door-clutch DC Isolator Switch Application

ADELS Series DC Isolator Switches are applied to 1~20 KW residential or commercial photovoltaic system, placed between photovoltage modules and inverters. Arcing time is less than 8ms, that keeps solar system more safe. To ensure its stability and long service life, our products are made by components with optimum quality. Max voltage is up to 1200V DC. It holds a safe lead among similar products.

Wenzhou Feimai Electric Co., Ltd.

Address:No.75 Xinguang Avenue, Xinguang Industrial Zone, Liushi, Yueqing City, Zhejiang Province, P.R.China.

Phone:+86-13968753197

Fax:+86-577-62797770

Tel:+86-577-62797750

E-mail:sale@adels-solar.com

PM2 Series DC Isoator switches



Door-clutch DC Isolator Switch Parameter

| Electrical Characteristics | |
|--|--|
| Type | FMPV16-PM2, FMPV25-PM2, FMPV32-PM2 |
| Function | Isolator, Control |
| Standard | IEC60947-3. AS60947. 3 |
| Utilization category | DC-PV2/DC-PV1/DC-21B |
| Pole | 4P |
| Rated frequency | DC |
| Rated operational voltage (Ue) | 300V, 600V, 800V, 1000V, 1200V |
| Rated operational voltage (Ie) | See the next page |
| Rated insulation voltage (Ui) | 1200V |
| Conventional free air themal current (Ithe) | // |
| Conventional enclosed thermal current (Ithe) | Same as Ie |
| Rated short-time withstand current (Icw) | 1kA. 1s |
| Rated impuled withstand voltage (Uimp) | 8. 0kV |
| Overvoltage category | II |
| Suitability for isolation | Yes |
| Polarity | No polarity, ,, +” a nd “-” polarities could be interchanged |
| Service life/cycle operation | |

Wenzhou Feimai Electric Co., Ltd.

Address:No.75 Xinguang Avenue, Xinguang Industrial Zone, Liushi, Yueqing City, Zhejiang Province, P.R.China.

Phone:+86-13968753197

Fax:+86-577-62797770

Tel:+86-577-62797750

E-mail:sale@adels-solar.com

| | |
|--------------------------------|----------------------------|
| Mechanical | 18000 |
| Electrical | 2000 |
| Installation Environment | |
| Ingress protection Switch Body | IP20 |
| Storage temperature | -40° C ~ +85° C |
| Mounting Type | Vertically or horizontally |
| Pollution degree | 3 |

Rated Voltage / Rated Current

| Wiring | Type | 300V | 600V | 800V | 1000V | 1200V |
|----------|---------------|------|------|------|-------|-------|
| 2P/4P | FMPV16 series | 16A | 16A | 12A | 8A | 6A |
| | FMPV25 series | 25A | 25A | 15A | 9A | 7A |
| | FMPV32 series | 32A | 27A | 17A | 10A | 8A |
| 4T/4B/4S | FMPV16 series | 16A | 16A | 16A | 16A | 16A |
| | FMPV25 series | 25A | 25A | 25A | 25A | 25A |
| | FMPV32 series | 32A | 32A | 32A | 32A | 32A |
| 2H | FMPV16 series | 35A | 35A | / | / | / |
| | FMPV25 series | 40A | 40A | / | / | / |
| | FMPV32 series | 45A | 40A | / | / | / |

Switching Configurations

| Type | 2-pole | 4-pole | 2-pole4-pole in series Input and Output bottom | 2-pole4-pole in series Input and Output on top | 2-pole4-pole in series Input on top Output bottom | 2-pole 4 paralleled Poles |
|-------------------------|--------|--------|---|---|--|---------------------------|
| / | 2P | 4P | 4T | 4B | 4S | 2H |
| Contacts Wiring Diagram | | | | | | |

Wenzhou Feimai Electric Co., Ltd.

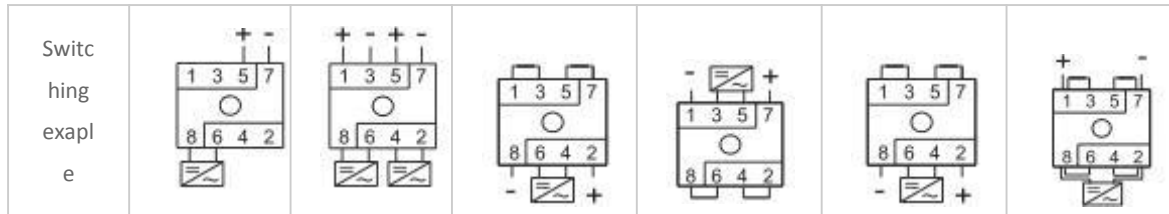
Address: No.75 Xinguang Avenue, Xinguang Industrial Zone, Liushi, Yueqing City, Zhejiang Province, P.R.China.

Phone: +86-13968753197

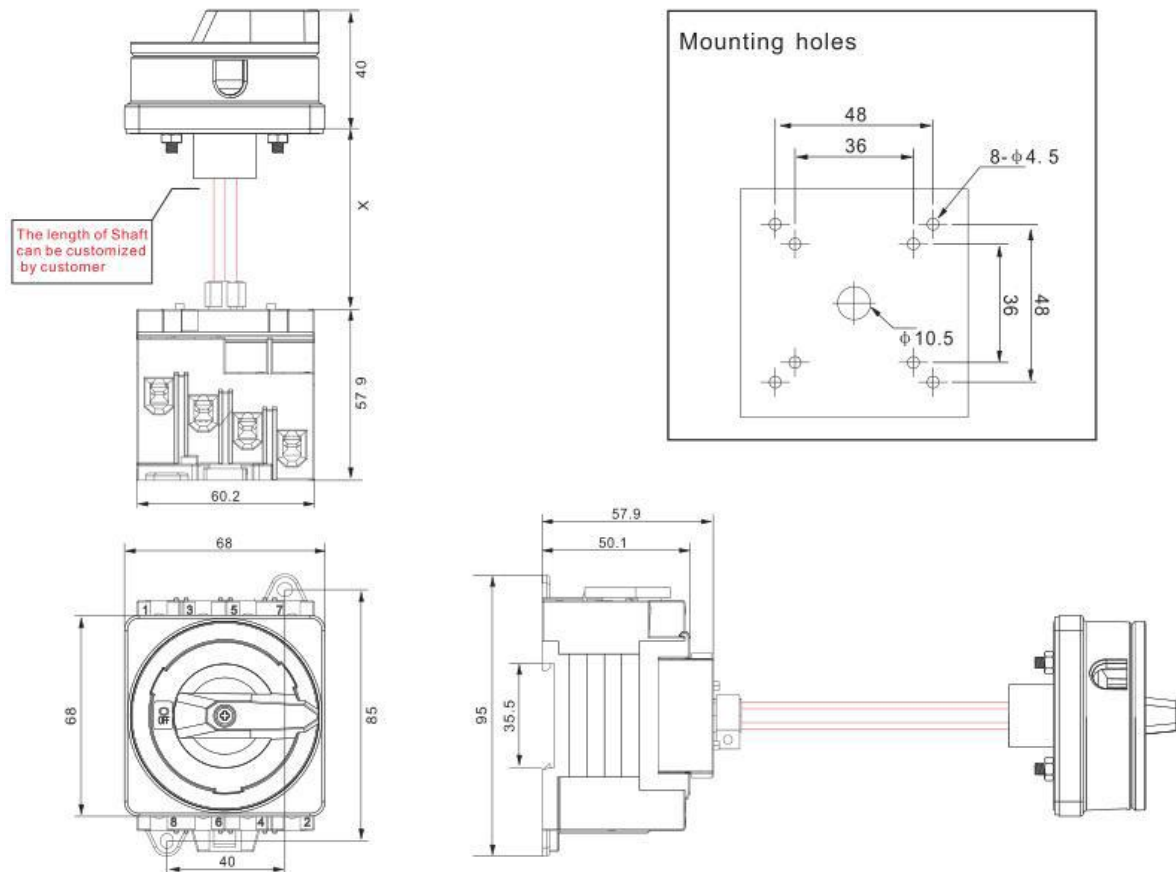
Fax: +86-577-62797770

Tel: +86-577-62797750

E-mail: sale@adels-solar.com



Dimensions(mm)



The PM2 Series Door-clutch DC Isolator Switch have been specifically designed to switch Direct Current (DC) at voltages up to 1200Volts. Their robust design and ability to switch such voltages, at rated current, mean that they are ideally suited to be used in the switching of Photovoltaic (PV) systems.

The DC switch achieves ultra-rapid switching through a patented 'Snap Action' spring driven operating mechanism. When the front actuator is rotated, energy is accumulated in the patented mechanism until a point is reached at which the contacts are fired open or closed. This system will operate the switch under load within 5ms thereby reducing the arcing time to a minimum.

Wenzhou Feimai Electric Co., Ltd.

Address:No.75 Xinguang Avenue, Xinguang Industrial Zone, Liushi, Yueqing City, Zhejiang Province, P.R.China.

Phone:+86-13968753197

Fax:+86-577-62797770

Tel:+86-577-62797750

E-mail:sale@adels-solar.com



www.adels-solar.com

In order to reduce the chances of an arc propagating, the PM2 Series switch employs rotary contact technology. This is designed to make and break the circuit through a revolving double break contact assembly that wipes as it moves. The wiping action has the added advantage of keeping the contact faces clean thereby reducing the circuit resistance and increasing the life of the switch.

Wenzhou Feimai Electric Co., Ltd.

Address:No.75 Xinguang Avenue, Xinguang Industrial Zone, Liushi, Yueqing City, Zhejiang Province, P.R.China.

Phone:+86-13968753197

Fax:+86-577-62797770

Tel:+86-577-62797750

E-mail:sale@adels-solar.com